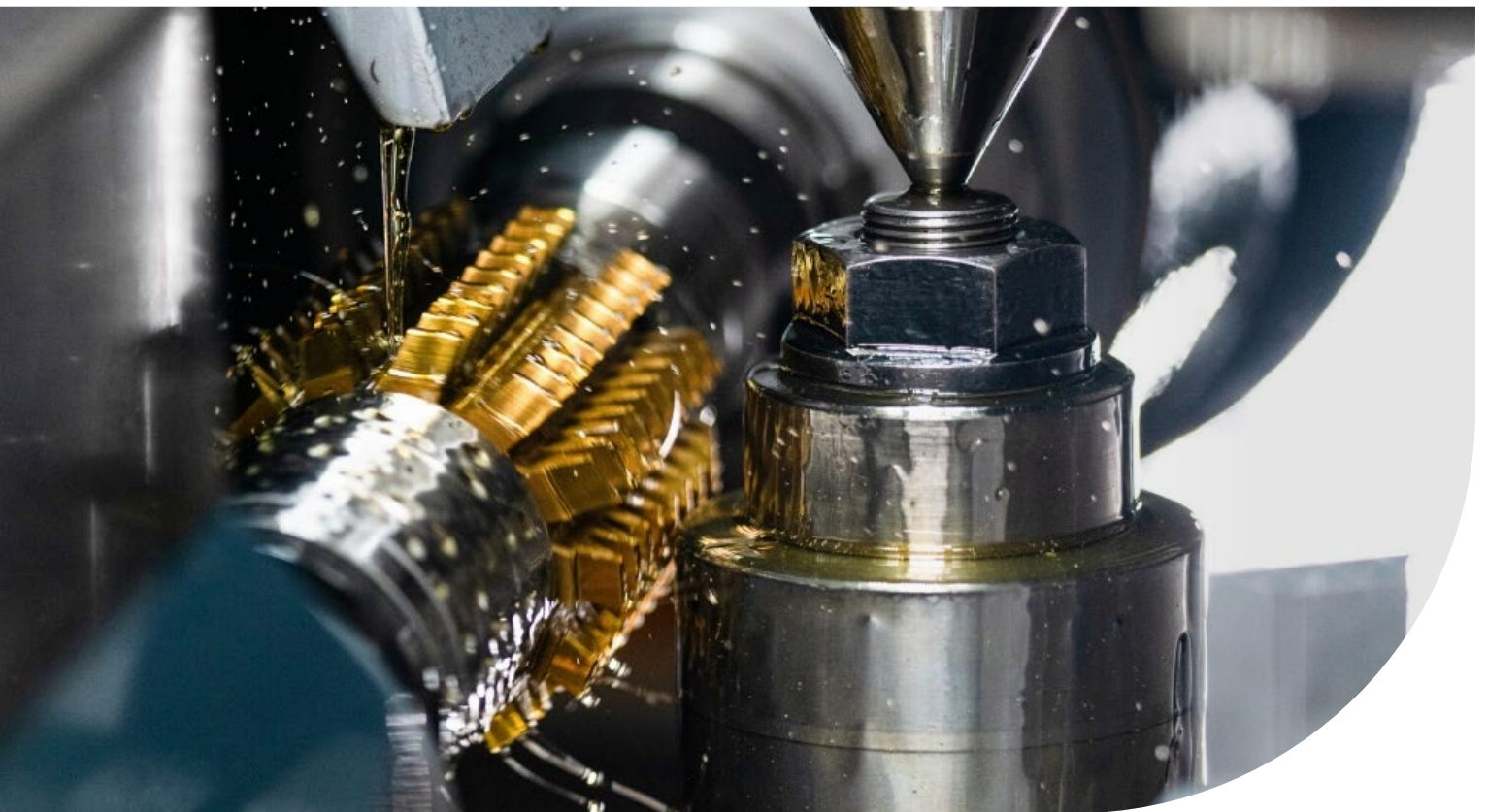


Driving
New
Generations
DS MOBILITY

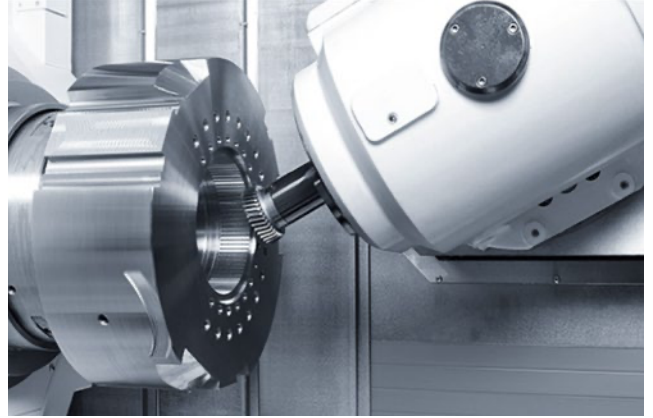


○ Main Product

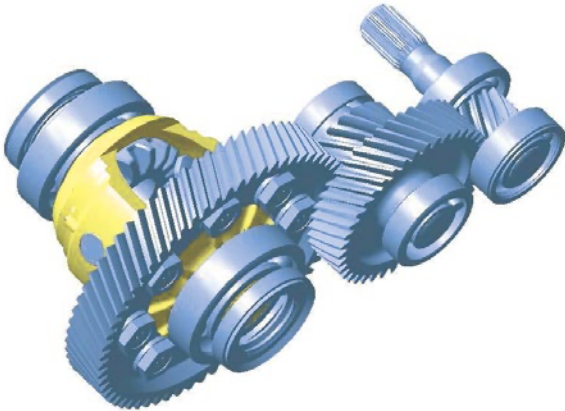
Gear Hobbing



Gear Skiving



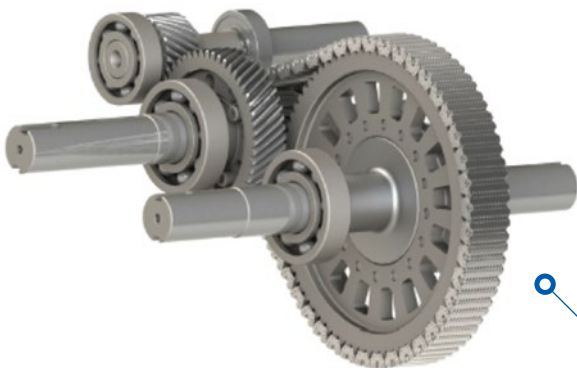
Gear Box Module



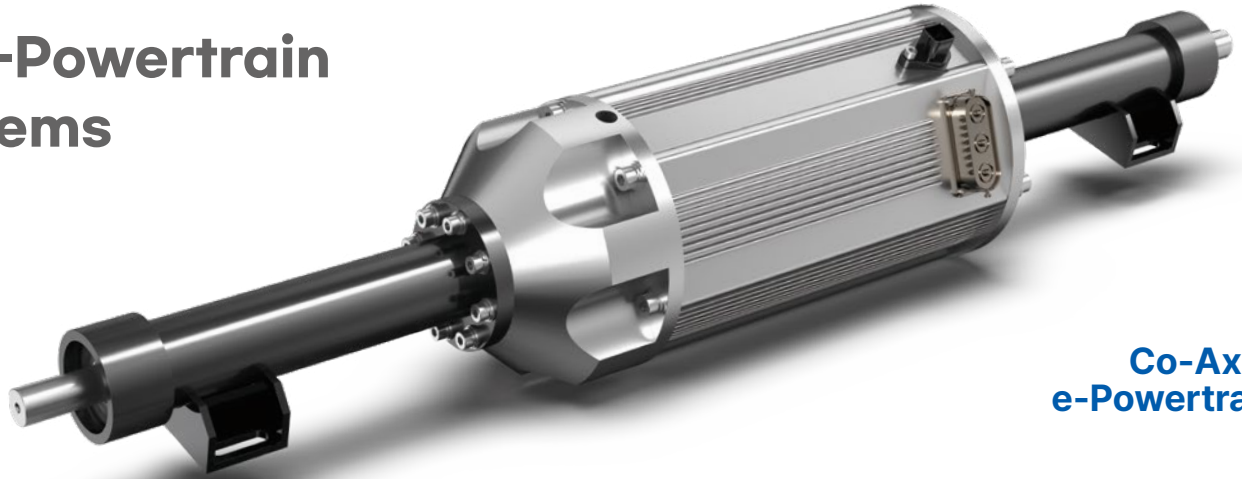
AGV & AMR Drive Unit



Electric Motorcycle Drive System & Parts



○ e-Powertrain Items



Co-Axial e-Powertrain

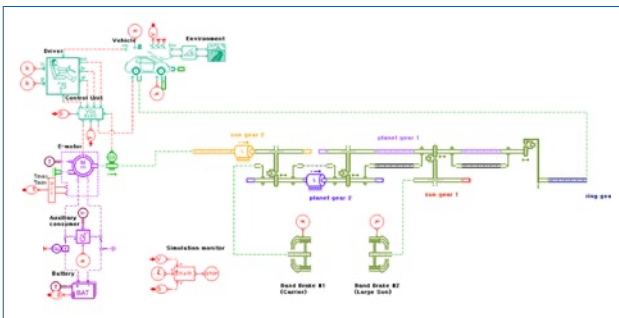


Co-Axial Gearbox

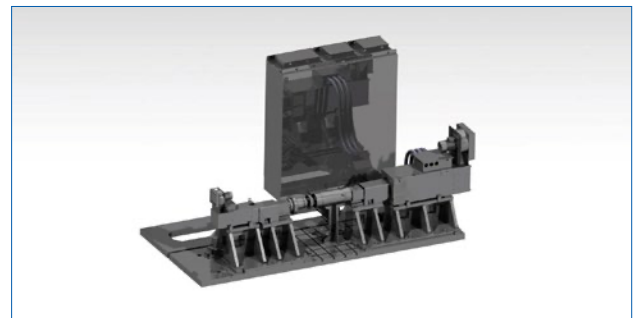


Co-Axial 2-speed Transmission

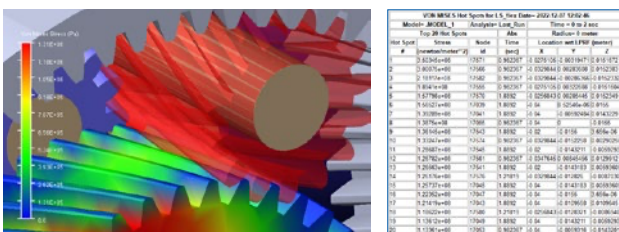
○ Analysis and Test Certification



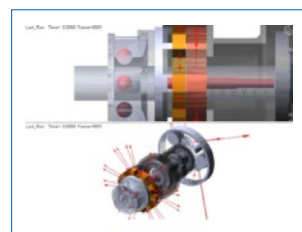
Control Logic Design



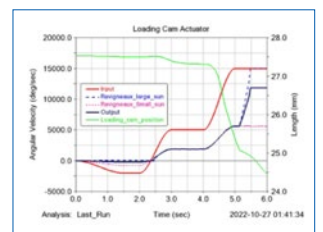
Dedicated Testing Machine for Electric Vehicles and Mobility Drive Modules | 2-axis Dynamo for Powertrain



Finite Element Model Composition and Strength Analysis



Dynamic Analysis



DAESEUNG Co.,Ltd.
Manufacturing Company

920-70 Cheongang-ro,
Gangdong-myeon, Gyeongju-si,
Gyeongsangbuk-do, Republic of
Korea (38033)

Tel +82-054-745-6747

Fax +82-054-748-6747

DS KOREA Co.,Ltd.
Manufacturing Company

115 Cheonbuksandan-ro,
Cheonbuk-myeon, Gyeongju-si,
Gyeongsangbuk-do, Republic of
Korea (38034)

Tel +82-054-745-6747

Fax +82-054-748-6747

DS GLOBAL Co.,Ltd.
Manufacturing Company

73-35 Cheonbuksandan-ro 1-gil,
Cheonbuk-myeon, Gyeongju-si,
Gyeongsangbuk-do, Republic of
Korea (38034)

Tel +82-054-745-6747

Fax +82-054-748-6747

DS FORGING Co.,Ltd.
Manufacturing Company

385 Yeongcheonsandan-ro,
Yeongcheon-si, Gyeongsangbuk-
do, Republic of Korea (38899)

Tel +82-054-336-0117~8

Fax +82-054-335-4589

DS MOBILITY Co.,Ltd.
R&D Lab

17-3 Secheon-ro 7-gil, Dasa-eup,
Dalseong-gun, Daegu, Republic of
Korea (42921)

Tel +82-054-336-0117~8

Fax +82-054-335-4589



17-3 Secheon-ro 7-gil, Dasa-eup, Dalseong-gun, Daegu,
Republic of Korea (42921)

Tel +82-054-336-0117~8

Fax +82-054-335-4589